

Magnet filter ZV1-...GM



- Combination of magnetic separator and filter
- Protection function for downstream devices
- Filter insert replaceable
- Suitable for water and water-based media

Characteristics

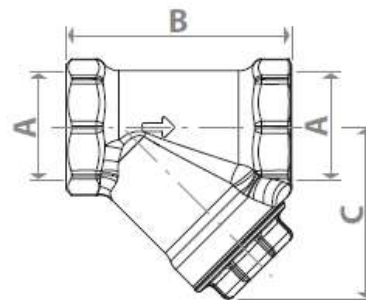
Dirt particles and ferritic particles are separated from the medium by the filter and the integrated magnetic separator. The integrated filter and the magnetic separator can be easily replaced for cleaning.

Technical data

Nominal width	DN 15...DN 50
Process connection	female G ½...G2
Mesh size	500 µm
Pressure rating	PN 30
Media temperature	5...90 °C
Media	Water or water based media: seal EPDM For oil: seal NBR
Q-max. (with pressure loss of 1 bar and media temperature of 5...30 °C)	DN 15 - 3,1 m³/h DN 20 - 5,6 m³/h DN 25 - 9,7 m³/h DN 32 - 17,0 m³/h DN 40 - 20,8 m³/h DN 50 - 35,9 m³/h
Materials (wetted)	Housing MS CW617N Seal EPDM; optional NBR Filter s.s. 304 Magnet Neodym N35H
Installation mode	Vertical or horizontal with filter screw placement underneath

Dimensions

DN	A (female thread)	B (mm)	C (mm)
15	G ½	48	35
20	G ¾	57	42
25	G 1	68	52
32	G 1¼	82	65
40	G 1½	90	72
50	G 2	108	88



Ordering code

ZV1 -

1. Nominal width	
015	DN 15 - G ½
020	DN 20 - G ¾
025	DN 25 - G 1
032	DN 32 - G 1¼
040	DN 40 - G 1½
050	DN 50 - G 2
2. Process connection	
G	female thread
3. Connection material	
M	brass
4. Seal	
● E	EPDM
○ N	NBR

●=Standard ○=optional