

Fine Filters ZE



- Filter 5..300 µm
- Simple to clean
- Transparent or opaque cover

Characteristics

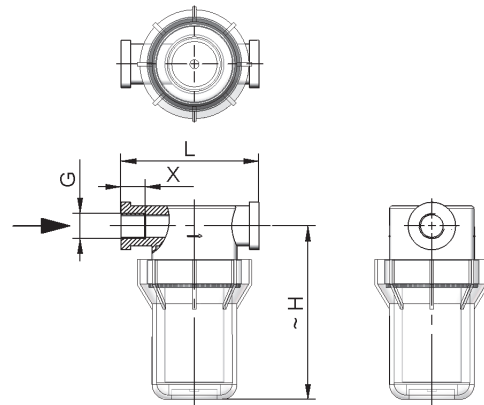
The fine filters are fitted with various filter elements. These are used for the scrubbing of liquids and gases.

Technical data

Nominal width	DN 4..20	
Process connection	female thread G 1/8..G 3/4 (note: for plastic parts it is not possible to guarantee trueness of calibration)	
Pore size	5..300 µm	
Pressure resistance	10 bar at 24 °C 7 bar at 52 °C	
Media temperature	0..+52 °C	
Ambient temperature	0..+52 °C	
Materials medium-contact	Housing	PP
	Cover	PP, Copolyesters (PES) or Polyamide
	Filter	UHMV-PE sintered plastic or stainless steel
	Seal	NBR or FKM
Medium	water, oil, gas	
Weight	see table "Dimensions and weights"	
Installation location	the filter cartridges below should be used	

Dimensions and weights

G	Type	H	L	D	X	Weight kg
G 1/8	ZEK-004	50	77	48.5	19	0.050
	ZEL-004	84				0.075
G 1/4	ZEK-008	50	77	48.5	19	0.050
	ZEL-008	84				0.070
G 3/8	ZEK-010	54	91	75.0	20	0.065
	ZEL-010	88				0.085
	ZEG-010	114				0.175
G 1/2	ZEK-015	54	91	75.0	20	0.060
	ZEL-015	88				0.080
	ZEG-015	114				0.170
G 3/4	ZEG-020	119	91	75.0	20	0.190



Ordering code

1. 2. 3. 4. 5. 6. 7.
ZE - **G** **P**

1. Types			
K	short filter Ø18		
L	long filter Ø18		
G	large filter Ø28		
2. nominal width			
004	DN 4 - G 1/8		● ●
008	DN 8 - G 1/4		● ●
010	DN 10 - G 3/8	● ● ●	
015	DN 15 - G 1/2	● ● ●	
020	DN 20 - G 3/4	●	
3. Process connection			
G	female thread		
4. Housing			
P	PP		
5. Cover			
P	PP white	● ● ●	
S	clear PES	● ● ●	
N	Polyamide	● ●	
6. Filter			
005	5 µm	sintered plastic	
035	35 µm		
080	80 µm		
050	50 µm	stainless steel	
100	100 µm		
300	300 µm		
7. Seal			
N	NBR		
V	FKM		