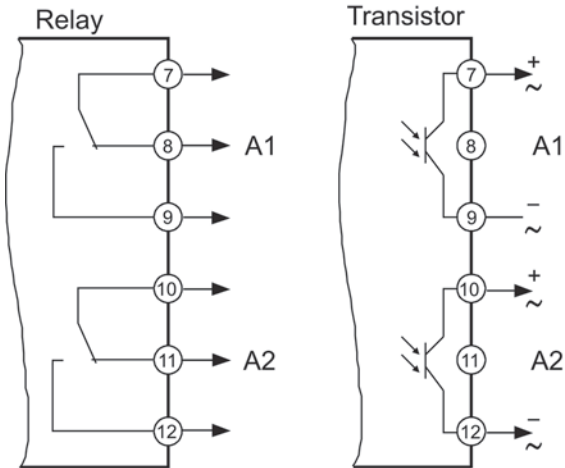


# Connection Diagrams X9648, Terminals B-D

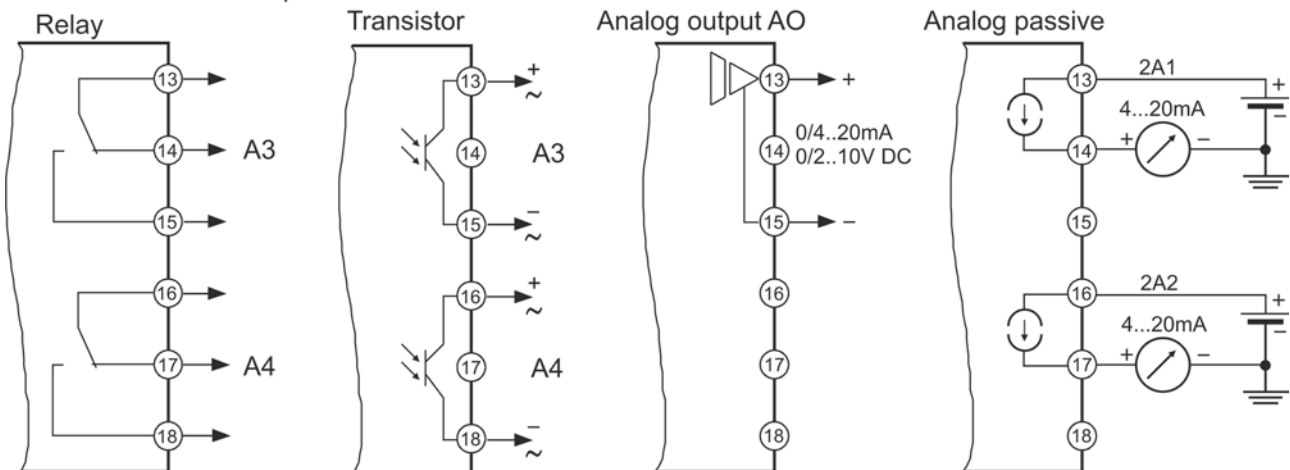
## Terminal strips B, C, D

Terminal strip A belongs to each article.

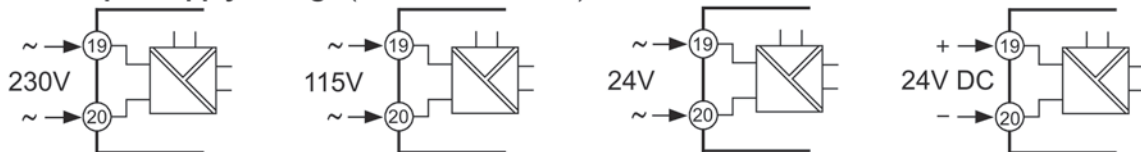
### Terminal strip B (varies with versions) 2 alarm outputs



### Terminal strip C (varies with versions) 2 alarm outputs



### Terminal strip D supply voltage (varies with version)



... professional Instruments "MADE IN GERMANY"