

## Flow switch Fluvatest US2-...HH / VM



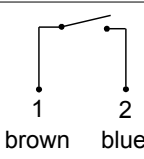
- **Highly reproducible**
- **Low pressure loss**
- **Hermetic separation between electrical and hydraulic component**

### Characteristics

The paddle flow rate controller in plastic design has a titanium axis which assures a low-friction bearing. The paddle follows the flow rate against the force of two magnets acting as springs. The paddle magnet also activates a reed contact positioned outside the flow chamber.

The paddle is available in two standard lengths, wherein each paddle can also be shortened at a predetermined breaking point.

### Technical data

<b>Switch</b>	Reed switch	
<b>Nominal width</b>	DN 25 – 80	
<b>Process connection</b>	Union nut G 3/4	
<b>Switching point</b>	3.. 62 l/min H <sub>2</sub> O	For details see table "Ranges"
<b>Q<sub>max.</sub></b>	up to 600 l/min	
<b>Tolerance</b>	±15 %	
<b>Pressure resistance</b>	PN 10 bar	
<b>Medium temperature</b>	-20 – +85 °C	
<b>Ambient temperature</b>	-20 – +70 °C	
<b>Media</b>	Water, oils	
<b>Wiring</b>	normally opened No. 0.372	
<b>Switching voltage</b>	max. 240 V AC / 46 V DC	
<b>Switching capacity</b>	max. 100 VA / W	

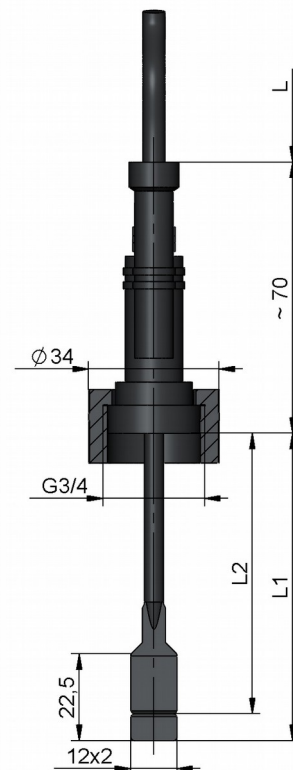
<b>Switching current</b>	max. 1 A
<b>Ingress protection</b>	IP 65
<b>Cable</b>	0.5 m (optional 1 m / 2 m / 3 m)
<b>Materials medium-contact</b>	Noryl (PPO), titanium, barium ferrite, Ms58 (with version VM)
<b>Non-medium-contact materials</b>	Noryl
<b>Weight</b>	see table "Dimensions and weights"
<b>Installation location</b>	Installation location influences the adjustment range! The installation position with a flow from top to bottom is not permitted.

### Ranges

Type	Nominal width	Switching point l/min H <sub>2</sub> O				Q <sub>max. rec.</sub> l/min H <sub>2</sub> O
		Original paddle (L1)		Shortened paddle (L2)		
		On	Off	On	Off	
US2-025..	DN 25	5	3	9	7	60
	DN 32	17.5	8	24	14.5	100
	DN 40	21.5	14.5	35	23.5	150
US2-050..	DN 50	18	9	30	16	230
	DN 65	39	25	57	31	400
	DN 80	60	40	82	62	600

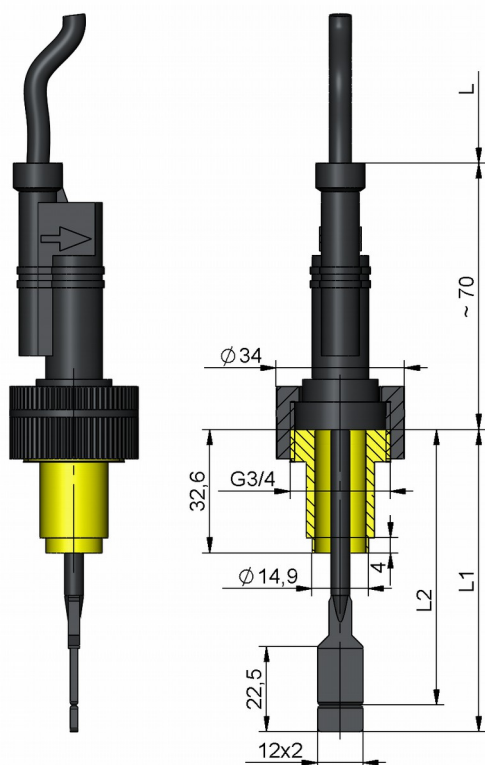
### Dimensions and weights

US2-...HH



US2-...VM

... professional Instruments "MADE IN GERMANY"



### Ordering code

US2-  1.  2.

○=Option

1. Nominal width	
025	DN 25 – 40
050	DN 50 – 80
2. Process connection	
HH	Screw-in thread G <sup>3</sup> / <sub>4</sub> Noryl
VM	Brass soldering nozzles
VK	○ Stainless steel welded nozzles
VS	○ Steel welded nozzles

### Options

- Viton / NBR seal

### Ordering information

- Specify low direction, material and adjustment range.
- For viscous media specify viscosity, temperature, and medium (e.g. ISO VG68) (inquire about range).

Types	L1 mm	L2 mm	Weight g	
			..HH	..VM
US2-025..	57	50	45	100
US2-050..	80	73	50	105

The adjustment range is specified for horizontal flows.  
Measured in DIN 2448 tube with normal wall thickness

### Handling and operation

- Include straight calming section of 5 x DN in inlet and outlet.
- If the media are dirty, install a filter (use magnetic filter for ferritic components).
- It must be ensured that the values given for voltage, current, and power are not exceeded.
- When switched on, a load must be connected in series.
- The electrical details apply to ohmic loads. Capacitive, inductive and lamp loads must be operated using a protective circuit.

... professional Instruments "MADE IN GERMANY"