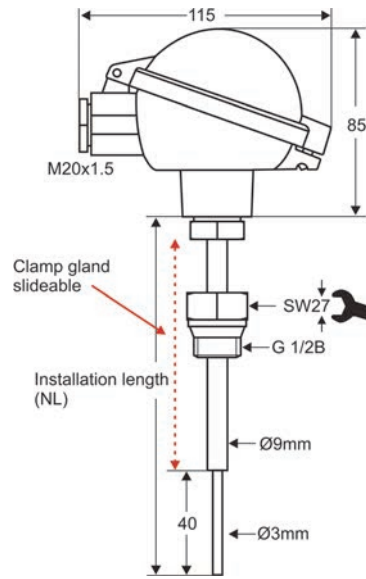


Produktinformation

**Safety RTD Sensor
TR293**



Dimensions



Characteristics

- Fast response sensor for measurement in exhaust gas and air
- **Certified as Sensor for Safety Temperature Limiters STL50 for gaseous media acc. to SIL 2 (DIN EN 61508) and DIN EN 14597 (substitute DIN 3440)**
- Ex certified to ATEX Ex-i GD for gases and dust
- Sensor with 2 x Pt100 class A, 3-wire
- Max. operating temperature -100..+600 °C
- Process pressure 25 bar
- Protection tube D = 9/3 mm, stainless steel 1.4571
- Process connection clamp gland G ½ B
- Terminal head BSZ (Aluminum) IP65 with snap-lid

Temperature equalization

The 63.2 % step-response time of temperature variation at the probe tip will be:

Medium T63.2%
Exhaust typical 20 s
Air typical 22 s

Ordering code

1. 2. 3. 4. 5. 6. 7. 8.
 - - - - - - -

1. Type	TR293
2. Variation	00 standard Ex Ex certified acc. to ATEX Ex-i GD
3. Measuring elements	2 2 elements Pt100 class A, 3-wire
4. Protection tube diameter	9/3 9mm to 3mm reduced
5. Installation length NL	100 100 mm 160 160 mm 250 250 mm 400 400 mm 600 600 mm XX custom length
6. Process connection	KV ½ B clamp gland, slide-able ½ "
7. Terminal head	BSZ with snap-lid (Aluminum)
8. Max. operating temperature	600°C

(Custom variation on request)