

# Pressure Transmitter Series SA-11



SA-11-0



SA-11-1



- Measuring range from 0.25..25 bar
- Output signal 0..20 mA, 4..20 mA, 0..10 V DC
- Certified for EHEDG, 3A and FDA
- Max. process temperature -20..150 °C

## Characteristics

The SA-11 pressure transmitter has been specially designed to meet the requirements of the food, beverage, pharmaceutical and biotechnology industries. With its resistance to chemical cleaning liquids and high temperatures, this transmitter is particularly suited for CIP/SIP cleaning processes. The flush diaphragm is directly welded to the process connection, thus ensuring a gap-free connection and eliminating the need for additional sealing gaskets. The SA-11 pressure transmitter meets the high requirements of sterile engineering processes and is certified in accordance with the 3-A Sanitary Standards and the EHEDG.

## Technical data

### Power supply

Supply voltage : 10/(14)..30 V DC  
 Process temperature : -20..+150 °C  
 Ambient temperature : -20..+80 °C  
 CE-conformity : EN 61326-1:2013; EN 61326-2-3:2013  
 Certification : EHEDG, A3, FDA conform

### Output

Current : 0..20 mA, 3-wire; 4..20 mA, 2-wire  
 Max. burden  $R_A$  : 2-wire,  $R_A \leq (U+ -10 \text{ V}) \div 0.02 \text{ A} [\Omega]$   
 3-wire,  $R_A \leq (U+ -3 \text{ V}) \div 0.02 \text{ A} [\Omega]$

### Voltage

Max. burden  $R_A$  : 0..10 V DC, 3-wire  
 Accuracy : >10 k $\Omega$   
 : 0.5 %

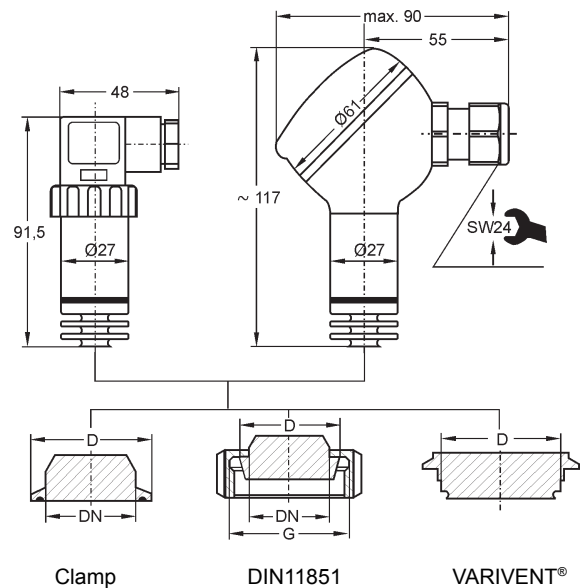
### Material

Process connection : stainless-steel 1.4435  
 Surface roughness :  $R_a < 0.4 \mu\text{m}$   
 Case : stainless-steel 1.4571  
 System fill fluid : synthetic oil, FDA approved  
 Membrane : gap free connection, free of dead spaces

### Electrical connection

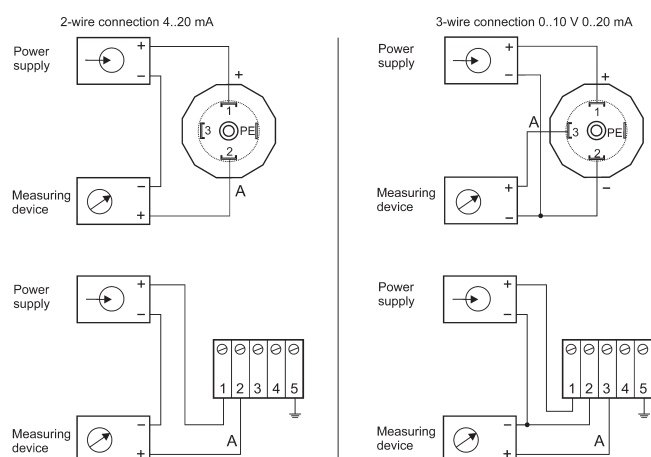
: field case (IP68)  
 or L-connector acc. to EN 175301-803/A (IP65)

## Dimensions



| Process connection | DN [mm/inch]                     | D [mm]               | G                                |
|--------------------|----------------------------------|----------------------|----------------------------------|
| Tri-Clamp          | 1 1/2"<br>2"                     | 50<br>64             |                                  |
| Clamp              | DIN32676<br>DN32<br>DN40<br>DN50 | 50<br>50<br>64       |                                  |
| Female union nut   | DIN11851<br>DN25<br>DN40<br>DN50 | 44<br>56<br>68,5     | Rd52x1/6<br>Rd65x1/6<br>Rd78x1/6 |
| VARIVENT®          | Form F<br>Form N                 | DN25/32<br>DN50/DN50 | 50<br>68                         |

## Connection diagram



Continue next page

**Ordering code**

SA-11 -  -  -  -  -

1.    2.    3.    4.    5.

|  |                                  |
|--|----------------------------------|
| <b>1. Electrical connection</b>  |                                  |
| 0  | L-connector EN175301-803/A, IP65 |
| 1  | field case, IP68                 |
| <b>2. Output</b>   |                                  |
| 0  | 0..10 V 3-wire                   |
| 1  | 0..20 mA 3-wire                  |
| 2  | 4..20 mA 2-wire                  |
| <b>3. Process connection</b>   |                                  |
| TC15   | Tri-Clamp 1 ½"                   |
| TC20   | Tri-Clamp 2"                     |
| NM25   | female union nut DN25            |
| NM40   | female union nut DN40            |
| NM50   | female union nut DN50            |
| CL25   | Clamp DN25                       |
| CL32   | Clamp DN32                       |
| CL40   | Clamp DN40                       |
| CL50   | Clamp DN50                       |
| WV25   | VARIVENT® Form F                 |
| WV40   | VARIVENT® Form N                 |
| <b>4. Options</b>  |                                  |
| 00   | without option                   |
| <b>5. Measuring range [bar]</b>  |                                  |
| 0.25/ 0.4/ 0.6/ 1/ 2.5/ 4/ 6/ 10/ 16/ 25<br>-1..0/ -1..1/ -1..2/ -1..4/ -1..10 |                                  |