

Pressure Transmitter S20



- Measuring ranges from -1..1600 bar
- Output signals 4..20 mA or 0..10 V DC
- Process temperatures up to 150°C

Merkmale

Pressure transmitter type S-20 is designed for general industrial applications and the ideal solution for customers with demanding measuring tasks. It is characterized by a very good accuracy, a robust design and an extremely high variance, thus it can be adapted to a wide variety of applications.

Technical data

Power supply

| | |
|---------------------|-------------------------------|
| Supply voltage | : 8/(12)..36 V DC |
| Process temperature | : -30..+100 °C |
| | : -40..+125 °C option 05 |
| | : -40..+150 °C option 06 |
| Ambient temperature | : -30..+100 °C |
| | : -40..+125 °C option 05 + 06 |

Storage temperature : -40..+70 °C

CE-conformity

| | |
|------------------------------|--|
| Pressure equipment directive | : 2014/68 EU |
| EMC-directive | : 2014/30 EU, |
| Emissions | : 20/30 EU; EN 61326-1:2013; EN 61326-2-3:2013 (group 1, class B) |

Output

| | |
|-----------------|--|
| Current | : 4..20 mA, 2-wire |
| Max. Load R_A | : 2-wire, $R_A \leq (U+ -7,5V) \div 0,023 A$ |
| Voltage | : 0..10 V DC 3-wire |
| Max. Load R_A | : 3-wire, >max. output signal / 1mA |
| Accuracy | : 0,5 % of span, optional 0,25 % available. |

Material

| | |
|--------------------|-----------------------------------|
| Process connection | |
| Relative measuring | : ≤ 10 bar = 316L |
| | : > 10 bar = 316L +13-8 PH |
| | : > 1.000 bar = ASTM630 + 13-8 PH |

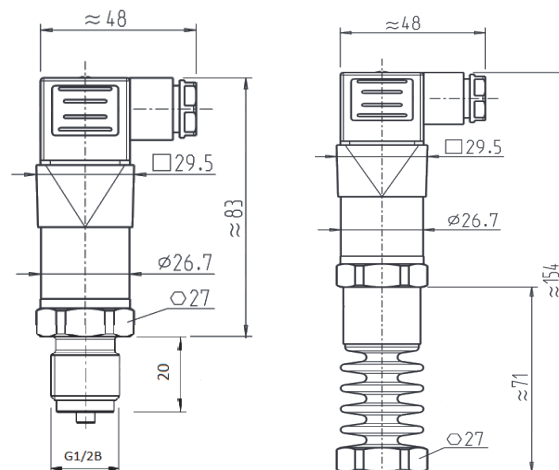
Absolute measuring : 316L

| | |
|---------------------|---|
| Housing | : 316TI |
| Transmission medium | : Synthetic oil (for measuring ranges <10 bar relative and all absolute measuring ranges) |

Process connection : G 1/2B, EN 837

| | |
|-----------------------|-------------------------------|
| Sealing | : copper |
| Electrical connection | : 4-pole plug EN 175301-803/A |
| Protection class | : IP65 |

Dimensions



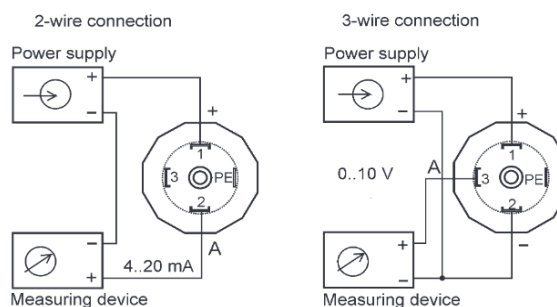
S20

 S20 with cooling element
(Option 06)

Weight

| | |
|--------------------------|----------------|
| S20 | : ca. 0,150 Kg |
| S20 with cooling element | : ca. 0,360 Kg |

Connection diagram



Ordering code

S20 1. - 2. - 3.

| | |
|--|---|
| 1. Output | |
| 0 | 0..10 V, 3-wire (12..36 V DC) |
| 2 | 4..20 mA, 2-wire (8..36 V DC) |
| 2. Options | |
| 00 | without option |
| 01 | custom measuring range * |
| 02 | accuracy 0.25 % 0.25 %; |
| 03 | absolute measurement; M.-ranges ≤ 40 bar |
| 05 | process temperature -40..+125 °C |
| 06 | with. cooling element -20..+150°C, max. 400 bar |
| 3. Measuring ranges [bar] | |
| -1/ 0,4/ 0,6/ 1/ 1,6/ 2,5/ 4/ 6/ 10/ 16/ 25/ 40/ 60/ 100/ 160/ 250/ 400/ 600/ 1.000/ 1.600 | |

*custom measuring range between 0..0,4 and 0..1.600 bar are available on request. Note that they is a less long terms stability and a higher temperature error on custom measuring ranges.