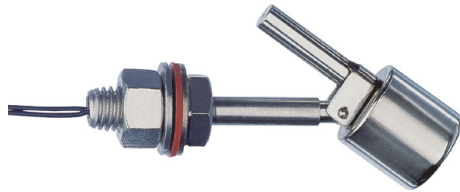


## Level Switch RW-015HKL

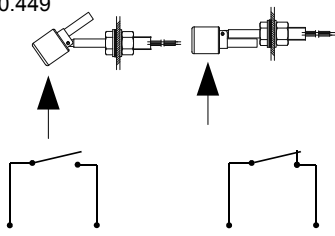


- Temperature up to 200 °C
- Highly reproducible
- Normally open or normally closed contact

### Characteristics

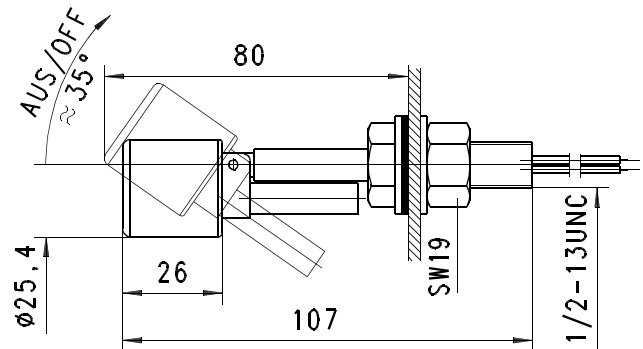
Mechanical level monitor for fluid media, with contact-free triggering of a reed contact.

### Technical data

<b>Switch</b>	reed switch
<b>Process connection</b>	male thread 1/2 -13 THD
<b>Density of medium</b>	<sup>3</sup> 0.7 g/cm <sup>3</sup>
<b>Pressure resistance</b>	PN 6 bar
<b>Medium temperature</b>	-20..+200 °C
<b>Ambient temperature</b>	-20..+70 °C
<b>Media</b>	water, oils (aggressive media available on request)
<b>Wiring</b>	'normally open' or 'normally closed' No. 0.449 
<b>Switching voltage</b>	max. 220 V AC
<b>Switching current</b>	max. 0.14 A
<b>Switching capacity</b>	max. 30 VA

<b>Protection class</b>	2 - safety insulation
<b>Ingress protection</b>	IP 65
<b>Electrical connection</b>	wiring 600 mm
<b>Materials medium-contact</b>	1.4571
<b>Weight</b>	0.12 kg
<b>Installation location</b>	horizontal installation

### Dimensions



### Handling and operation

- It must be ensured that the values given for voltage, current, and power are not exceeded.
- When switched on, a load must be connected in series.
- The electrical details apply to ohmic loads. Capacitive, inductive and lamp loads must be operated using a protective circuit.
- Not suitable for use in media with ferritic particles.

### Ordering code

RW - 

1.	2.	3.	4.
015	H	K	L

<b>1. Connection size</b>	015	threaded connection 1/2 13UNC
<b>2. Process connection</b>	H	screw-in thread
<b>3. Connection material</b>	K	stainless steel
<b>4. Electronic connection</b>	L	wiring