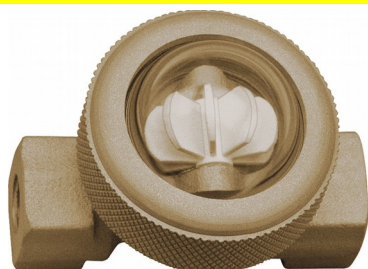


Product Information

Flow indicator Visoflow RL-...GR



- Good view of rotor
- Dome form

Characteristics

Mechanical flow indicator, for fluid media, with rotor for quantitative flow display. The rotor turns in proportion to the flow. Robust construction in gunmetal/ brass.

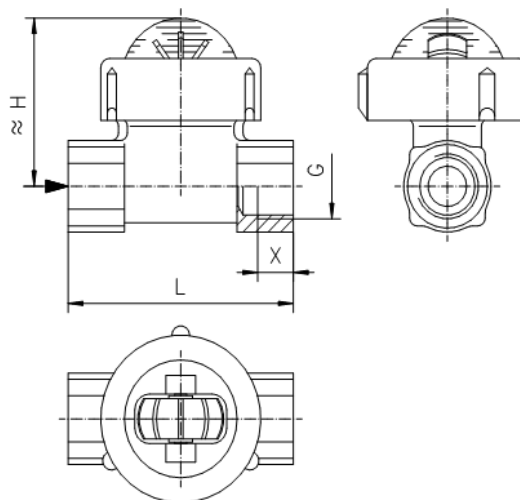
Technical data

Nominal width	DN 8 – 25		
Process connection	Female thread G ¹ / ₄ – G1		
Rotor startup	0.5 – 5.0 l/m / H ₂ O	For details see table "Ranges"	
Q _{max.}	up to 26.5 l/min		
Pressure resistance	PN 6 bar		
Pressure loss	0.05 bar at Q _{max.}		
Media temperature	-20 – +100 °C		
Ambient temperature	-20 – +70 °C		
Media	Water and oils (with higher viscosity, tendency towards higher rotor starting value)		
Materials medium-contact	gunmetal, brass, soda-lime glass, stainless steel, nylon, NBR		
Weight	see table "Dimensions and weights"		
Installation location	Inwards flow from above must be avoided.		

Ranges

Type	G	Rotor startup l/min H ₂ O	Q _{max. rec.} l/min H ₂ O
RL-008GR	G ¹ / ₄	0.5	3.3
RL-010GR	G ³ / ₈	0.8	7.5
RL-015GR	G ¹ / ₂	1.0	10.0
RL-020GR	G ³ / ₄	2.0	26.5
RL-025GR	G1	5.0	

Dimensions and weights



Type	L mm	H mm	X mm	Weight kg
RL-008GR	76	52	12	0.55
RL-010GR				0.50
RL-015GR		55		0.55
RL-020GR	83	57	14	0.65
RL-025GR	89	67	18	1.10

Ordering code

1. 2. 3.
RL -

1. Nominal width	
008	DN 8 - G ¹ / ₄
010	DN 10 - G ³ / ₈
015	DN 15 - G ¹ / ₂
020	DN 20 - G ³ / ₄
025	DN 25 - G1
2. Process connection	
G	Female thread
3. Connection material	
R	Gunmetal

... professional Instruments "MADE IN GERMANY"