

Electronic Pressure Switch PSD30



- Measuring range 1..600 bar
- Display for pressure, Min/Max-peak values
- Manipulation protected via Password
- Different switching functions programmable

Characteristics

The pressure switch PSD30 conduces for measuring and monitoring of process pressure for not explosive gases and not crystallized liquids. Therefor the device offers 2 electronic alarm outputs. A Programmable switching delays can filter pressure peaks. The additional analogue output enables the control in a control circuit.

Technical data

Power supply

Supply voltage : 15..30 V DC
 Current consumption : max. 100 mA
 Process temperature : -20..+80 °C
 Ambient temperature : -20..+85 °C
 Compensated temperature range : 0..80 °C (range of accuracy)
 CE- conformity : 2004/108/EG, EN 61326, interference emission group 1, class B, 97/23/EG pressure equipment directive

Display

Indicating range : LED red 9 mm
 Accuracy : $\leq 1\% \pm 1$ Digit

Measuring range : max. 600 bar

Alarm outputs : 2 x transistor PNP n.c./n.o.

Switching voltage : $U_B - 1.5$ V

Switching current : 0.7 A each alarm output, with short-circuit-proof

Rise time (t90) : ≤ 10 ms

Accuracy : ≤ 1.0 % of the span

Analog output : 0/4..20 mA

Burden : $RA \leq (U_B - 8 V) \div 0.02 A$, (max. 500 Ω)

Accuracy : ≤ 0.5 % of the span

Case : subpart 316L, head plastic PBT turn-able 300°

Process material : process thread 316L, sensor 316L (< 0..10 bar relative 13-8PH), seal NBR

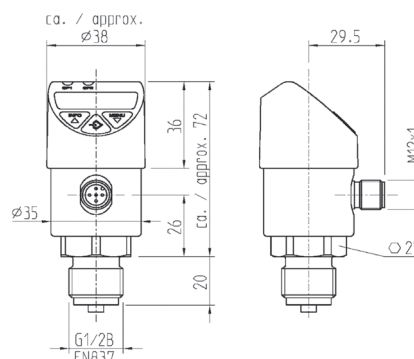
Control panel : Polyester

Weight : max. 280g

Connection : round plug M12 x 1; 5 pol. straight or angular type

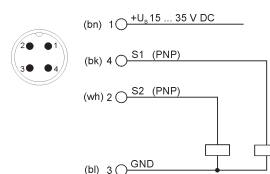
Protection class : IP67

Dimensions

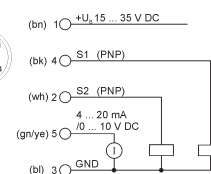


Connection diagrams

2 switching outputs



2 switching outputs + 1 analogue output



Ordering code

PSD30 - 1. - 2. - 3. - 4. - 5.

1. Switching output	
2T	2 outputs PNP Transistor
2. Analogue output	
00	without
AO	analogue output 0/4..20 mA, 3-wire
3. Process connection	
G ¼ A	male thread
G ½ B	male thread
G ¼ X	female thread
4. Options	
00	without option
ABS	absolute pressure
5. Measuring ranges [bar]	
1/ 1,6/ 2,5/ 4/ 6/ 10/ 16/ 25/ 40/ 60/ 100/ 160/ 400/ 600	
Accessories	connection cable, 5 pole cable socket, IP67, open line end
SKM5E-02	2 m length
SKM5E-05	5 m length
SKM5E-10	10 m length
SKM5EW-02	2 m length
SKM5EW-05	5 m length
SKM5EW-10	10 m length

Connection cable

SKM5EW-XX

SKM5E-XX

