

Level Indicator NA



- Wall mounting
- No moving parts

Characteristics

Mechanical flow indicator for fluid media: The level is displayed directly in a sight glass.

Technical data

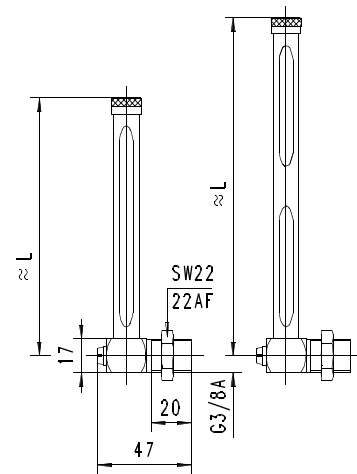
Switch	without
Process connection	male thread G 3/8 A, optional G 1/2 A
Density of medium	³ 0.01 g/cm ³
Pressure resistance	-
Medium temperature	-20..+80 °C
Ambient temperature	-20..+70 °C
Media	water, oils
Electrical data	none
Materials medium-contact	CW614N, natural glass
Non-medium-contact materials	CW614N, natural glass
Weight	see table "Dimensions and weights"
Installation location	vertical installation position

Dimensions and weights

G	Types	L	Number of sight glasses	Weight kg
G 3/8 A	NA-010HM040	40	1	0.09
	NA-010HM060	60		
	NA-010HM080	80		
	NA-010HM100	100		0.10
	NA-010HM125	125		
	NA-010HM150	150		
	NA-010HM200	200		
G 1/2 A	NA-010HM250	250	2	0.11
	NA-010HM300	300		0.12
				0.14
				0.15
				0.16

Length 40..200

Length 250..300



Vent drilling in cover.

Ordering code

NA - 1. 2. 3. 4.

○=Option

1. Connection size	
010	threaded connection G 3/8 A
015	○ threaded connection G 1/2 A
2. Process connection	
H	screw-in thread
3. Connection material	
M	brass
4. Length	
040	40 mm
060	60 mm
080	80 mm
100	100 mm
125	125 mm
150	150 mm
200	200 mm
250	250 mm
300	300 mm