

Large size display series migan



- LED-7 Segment
- Character height 60..150 mm
- Max. 6/8 digit at digital and interface, 4 digit at analog input
- Analog inputs 0/4..20 mA, 0..10 V
- Digital pulse counter up to 15 kHz, Profibus, AS-Interface or Ethernet
- Protection class IP54 or IP65

Characteristics

The large size numeric display can be used universally as a process display unit or as an information board. The modular design allows for cost-effective models of various size, and with different character heights and number of digits. Thus integration into existing equipment or systems is easy and simple. The display can be controlled with different inputs.

For example: field bus systems , A-D converter, pulse converter...
Custom devices with different digits even units are possible.

Technical data

Power supply

Supply voltage : 230 V AC $\pm 10\%$; 110 V AC $\pm 10\%$;
or 24 V DC $\pm 20\%$

Power consumption : max. 16 W per digit, it depends on the number and size of the digits.

Operating temp. : 0..50 °C

Input

Analogue : 0/4..20 mA, 0..10 V

Digital : pulse counter

Interface : Profibus, AS-interface or Ethernet

Count frequency : max. 15 kHz,

Display : LED red; 60, 100, and 150 mm height

Indicating range : max. 6 / 8 digit with digital- and interface input,

4 digit with analog input

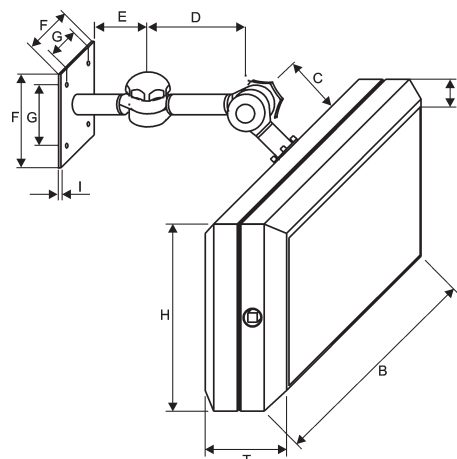
Field case

: material Aluminum, powder coated
RAL 7016

Dimensions : see table

Protection class : IP54 or IP65

Dimensions



	[mm]
C	60
D	110
E	74
F	100
G	70
I	7
R	21
T	87

Dimensions H and B

Number of digits / character height

	60mm		100mm		150mm	
	B	H	B	H	B	H
2 digits	305	202	305	202	368	238
3 digits	305	202	440	202	440	238
4 digits	305	202	440	202	620	238
5 digits	440	202	620	202	720	238
6 digits	440	202	620	202	820	238
7 digits	440	202	720	202	920	238
8 digits	620	202	820	202	1080	238

Ordering code next page

Ordering code

 migan - 1. - 2. - 3. - 4. - 5. - 6. - 7. - 8.

1. Character size [mm]	
1	60
2	100
3	150
4	200
5	250
2. Number of digits	
n	
3. Input	
0	pulse counter
1	A/D converter 4-times
4	Profibus DP, incl. cable plug
5	Ethernet TCP/IP
6	AS-Interface
7	BCD parallel
8	BCD multiplex
9	Pt100 2-, 3-wire
A	incremental input
B	radio controlled clock DCF77
C	Profinet IO
D	Modbus RTU
4. Supply voltage	
0	230 V AC ±10 % 50-60Hz
1	115 V AC ±10 % 50-60Hz
5	24 V DC ±15 %
5. Protection class	
0	IP54
1	IP65
6. Mounting	
1	multi hinge*
2	mounting angle *
3	suspension eyes for chains
4	multi hinge with hinge extension
5	mounting frame
7. Additional text on the face plate (please state in clear text)**	
8. Options	
00	without
03	heating with controller
04	colon for clock display
05	custom display color

* for more than 7 digits 100/150mm character heights 2 multi hinge or mounting angles are necessary.

** each unit character the case size changes with 1 digit.