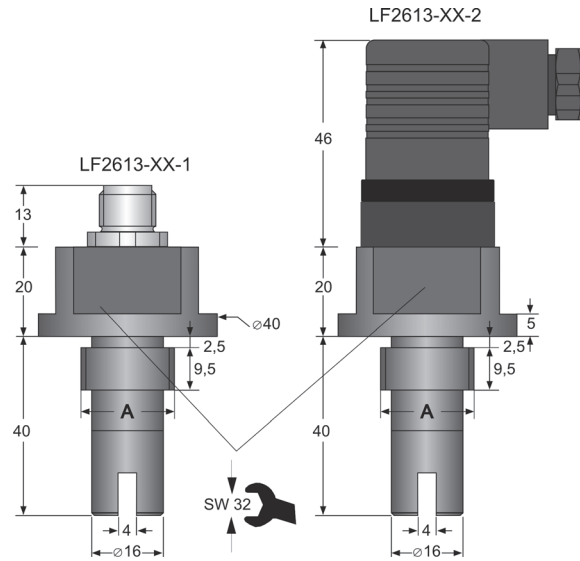


# Conductivity Cell LF2613

## Dimensions



## Characteristics

- 2-electrode conductive flow cell for drinking water
- Measuring range 0..100  $\mu\text{S}/\text{cm}$  up to 0..2  $\text{mS}/\text{cm}$

## Technical data

Cell constant	: C = $0.9 \pm 3.5\%$
Operating temperature	: 0..60 °C
Process pressure	: max. 16 bar at 22 °C
Process material	: Graphite electrodes, PVC-U acc. to DIN8061/8062
Electrical connection	: 4 pole angle entry plug EN 175301-803/A, IP65 or 8 pole round connector plug M12x1, IP67
-Material	: brass nickel plated
Temperature measurement	: integrated Pt1000 Sensor DIN IEC751, class A

## Ordering code

LF2613 - C0.9 -  1. -  2. -  3.

<b>1. Process connection (A)</b>	
G 1/2 A	cylindrical thread
R 1/2	conical thread
G 3/4 A	cylindrical thread
R 3/4	conical thread
<b>2. Electrical connection</b>	
1	8 pole round connector
2	4 pole angle entry plug
<b>3. Options</b>	
00	without option
03	8 pole round connector plug SS-type

Connection diagram see page Fehler: Referenz nicht gefunden

Additional accessories see page Fehler: Referenz nicht gefunden