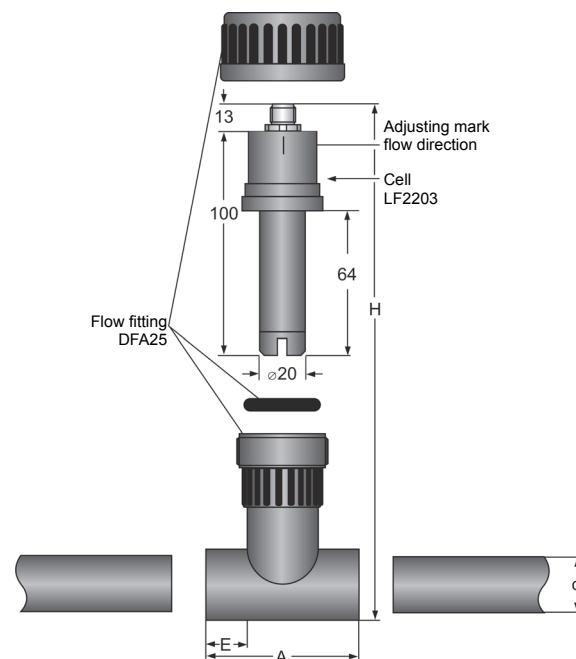


# Conductivity Cell LF2203

## Dimensions



## Characteristics

- 2-electrode conductive flow cell for pipe diameter 25-63 mm
- Measuring range 0..100  $\mu\text{S}/\text{cm}$  up to 2 mS/cm

## Technical data

Cell constant	: C = 1.0 $\pm$ 3.5 %
Operating temperature	: 0..60 °C
Process pressure	: max. 16 bar at 22 °C
Process material	: graphite (electrodes), PVC-U acc. to DIN8061/8062
Electrical connection	: 8 pole round connector plug, M12x1, IP67
-Material	brass nickel plated
Temperature measurement	: integrated Pt1000 Sensor DIN IEC751, class A

d	H	A	E
25	97	66	19
32	106	78	22
40	116	98	26
50	127	118	31
63	141	144	38

## Ordering code

LF2203 - C1.0 -

1. Options	
00	without option
03	8 pole round plug SS-type
<b>Accessories</b>	
Flow fitting DFA 25 d = outer pipe diameter	
DFA25-25-1-1	d = 25 mm
DFA25-32-1-1	d = 32 mm
DFA25-40-1-1	d = 40 mm
DFA25-50-1-1	d = 50 mm
DFA25-63-1-1	d = 63 mm

Connection diagram see page Fehler: Referenz nicht gefunden

Additional accessories see page Fehler: Referenz nicht gefunden