




Operating manual Conductivity measuring device with data logger

as of version 1.0

GMH 3451



-  Please carefully read these instructions before use!
-  Please consider the safety instructions!
-  Please keep for future reference!



WEEE-Reg.-Nr. DE 93889386

Index

1	GENERAL NOTE	3
2	SAFETY	3
2.1	INTENDED USE	3
2.2	SAFETY SIGNS AND SYMBOLS.....	3
2.3	SAFETY GUIDELINES.....	3
3	PRODUCT SPECIFICATION	4
3.1	SCOPE OF SUPPLY	4
3.2	OPERATION AND MAINTENANCE ADVICE.....	4
4	HANDLING	5
4.1	DISPLAY ELEMENTS.....	5
4.2	PUSHBUTTONS.....	5
4.3	CONNECTIONS	5
4.4	POP-UP CLIP	6
5	START OPERATION	6
6	PRINCIPLES OF THE MEASUREMENTS	7
6.1	BASICS ABOUT CONDUCTIVITY	7
6.2	CONDUCTIVITY MEASUREMENT	7
6.3	RESISTIVITY MEASUREMENT	7
6.4	TDS MEASUREMENT.....	7
6.5	SALINITY MEASUREMENT.....	7
6.6	ELECTRODES / MEASURING CELLS.....	8
6.6.1	<i>Design</i>	8
6.7	TEMPERATURE COMPENSATION	8
6.7.1	<i>Temperature compensation “nLF” according to EN 27888</i>	8
6.7.2	<i>Linear temperature compensation and determination of temperature coefficient “t.Lin”</i>	8
7	CONFIGURATION	9
8	DATA LOGGER	11
8.1	MANUAL RECORDING (“FUNC-STOR”).....	11
8.2	AUTOMATIC RECORDING WITH SELECTABLE CYCLE TIME “FUNC CYCL”	12
9	UNIVERSAL OUTPUT	13
9.1	SERIAL INTERFACE.....	13
9.2	ANALOGUE OUTPUT	13
10	ADJUSTMENT OF TEMPERATURE INPUT	13
11	AUTOMATIC ADJUSTMENT/CALIBRATION OF CELL CORRECTION	14
12	GLP	15
12.1	CALIBRATION INTERVAL (C.INT).....	15
12.2	CALIBRATION STORAGE (READ CAL).....	15
13	ALARM (,AL:“)	15
14	REAL TIME CLOCK (“CLOC”)	15
15	ACCURACY CHECK / ADJUSTMENT SERVICE	16
16	ERROR AND SYSTEM MESSAGES	16
17	RESHIPMENT AND DISPOSAL	17
17.1	RESHIPMENT	17
17.2	DISPOSAL INSTRUCTIONS.....	17
18	SPECIFICATION	18

1 General Note

Read this document carefully and get used to the operation of the device before you use it. Keep this document within easy reach near the device for consulting in case of doubt.

Mounting, start-up, operating, maintenance and removing from operation must be done by qualified, specially trained staff that have carefully read and understood this manual before starting any work.

The manufacturer will assume no liability or warranty in case of usage for other purpose than the intended one, ignoring this manual, operating by unqualified staff as well as unauthorized modifications to the device. The manufacturer is not liable for any costs or damages incurred at the user or third parties because of the usage or application of this device, in particular in case of improper use of the device, misuse or malfunction of the connection or of the device.

The manufacturer is not liable for misprints.

2 Safety

2.1 Intended Use

The device is designed for measuring conductivity, resistivity, salinity and TDS – using a permanently connected electrode (measuring cell).

Generally a suitable temperature sensor is included to the electrode. The measured temperature is used for the automatic temperature compensation (e.g. Lin or nIF) and is additionally displayed.

The safety requirements (see below) have to be observed.

The device must be used only according to its intended purpose and under suitable conditions.

Use the device carefully and according to its technical data (do not throw it, strike it, etc.)

Protect the device from dirt.

2.2 Safety signs and symbols

Warnings are labeled in this document with the followings signs:



Caution! This symbol warns of imminent danger, death, serious injuries and significant damage to property at non-observance.



Attention! This symbol warns of possible dangers or dangerous situations which can provoke damage to the device or environment at non-observance.




Note! This symbol point out processes which can indirectly influence operation or provoke unforeseen reactions at non-observance.

2.3 Safety guidelines

This device has been designed and tested in accordance with the safety regulations for electronic devices. However, its trouble-free operation and reliability cannot be guaranteed unless the standard safety measures and special safety advises given in this manual will be adhered to when using the device.


1. Trouble-free operation and reliability of the device can only be guaranteed if the device is not subjected to any other climatic conditions than those stated under "Specification".


If the device is transported from a cold to a warm environment condensation may cause in a failure of the function. In such a case make sure the device temperature has adjusted to the ambient temperature before trying a new start-up.

2.  **DANGER** If there is a risk whatsoever involved in running it, the device has to be switched off immediately and to be marked accordingly to avoid re-starting. Operator safety may be a risk if:
- there is visible damage to the device
 - the device is not working as specified
 - the device has been stored under unsuitable conditions for a longer time.
- In case of doubt, please return device to manufacturer for repair or maintenance.
3. When connecting the device to other devices the connection has to be designed most thoroughly as internal connections in third-party devices (e.g. connection GND with protective earth) may lead to undesired voltage potentials that can lead to malfunctions or destroying of the GMH 5155 and the connected devices.



This device must not be run with a defective or damaged power supply unit.
Danger to life due to electrical shock!

4.  **DANGER** Do not use these products as safety or emergency stop devices or in any other application where failure of the product could result in personal injury or material damage. Failure to comply with these instructions could result in death or serious injury and material damage.

5.  **DANGER** This device must not be used at potentially explosive areas! The usage of this device at potentially explosive areas increases danger of deflagration, explosion or fire due to sparking.

3 Product Specification


3.1 Scope of supply

The scope of supply includes:

- GMH 3451, incl. 9V-battery
- Operating manual

3.2 Operation and maintenance advice

1. Battery operation:

If  and 'bAt' is shown in the lower display the battery has been used up and needs to be replaced. However, the device will operate correctly for a certain time. If 'bAt' is shown in the upper display the voltage is too low to operate the device; the battery has been completely used up.



The battery has to be taken out, when storing device above 50°C. We recommend taking out battery if device is not used for a longer period of time.
After recommissioning the real-time clock has to be set again.

2. Mains operation with power supply:



When using a power supply please note that operating voltage has to be 10.5 to 12 V DC. Do not apply overvoltage!! Cheap 12V-power supplies often have excessive no-load voltage. We, therefore, recommend using regulated voltage power supplies.

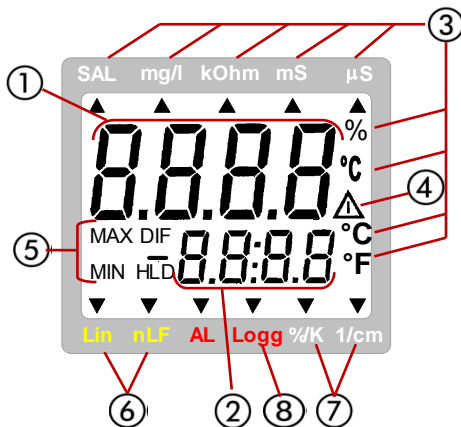
Trouble-free operation is guaranteed by our power supply GNG10/3000.

Prior to connecting the power supply to the mains make sure that the operating voltage stated at the power supply is identical to the mains voltage.

3. Treat device and sensor carefully. Use only in accordance with above specification. (do not throw, hit against etc.). Protect plug and socket from soiling.

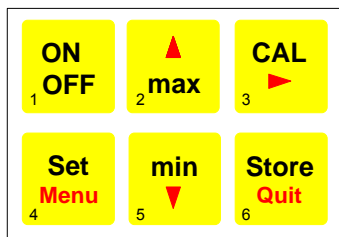
4 Handling

4.1 Display elements



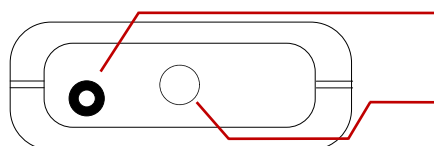
1	Main display:	conductivity (mS/cm, μ S/cm) resistivity (k Ω cm) TDS / total dissolved solids (mg/l) salinity (SAL)
2	Secondary display:	measuring value temperature
3	Arrows to selected	measuring unit
4	Warning signal:	indicates low battery or missing calibration
5	Display elements to show minimum / maximum / memorized measuring value	
6	nLF, Lin:	display element for selected temperature compensation
7	%/K, 1/cm:	additional configuration units
	log-arrow:	logger is ready
8	arrow flashing:	automatic recording (Logg CYCL) is active

4.2 Pushbuttons



	On / Off key	press shortly: switch on/off instrument
	Set / Menu:	press shortly: change-over between measuring units (only if „InP: SET“ is selected) press for 2 sec. (menu): invoke configuration menu
	min/max when taking measurements:	press shortly: min. or max. value is displayed press for 2 sec: the corresponding value is deleted
	Configuration:	to enter values or change settings
	CAL: only at mode 'cond'=conductivity:	press for 2 sec: start cell correction adjustment
	Store/Quit:	Logger off: hold and save current measuring value ('HLD' is displayed) Logger on: Operation of data logger – chapter 8 Set/Menu: confirm settings, return to measuring

4.3 Connections

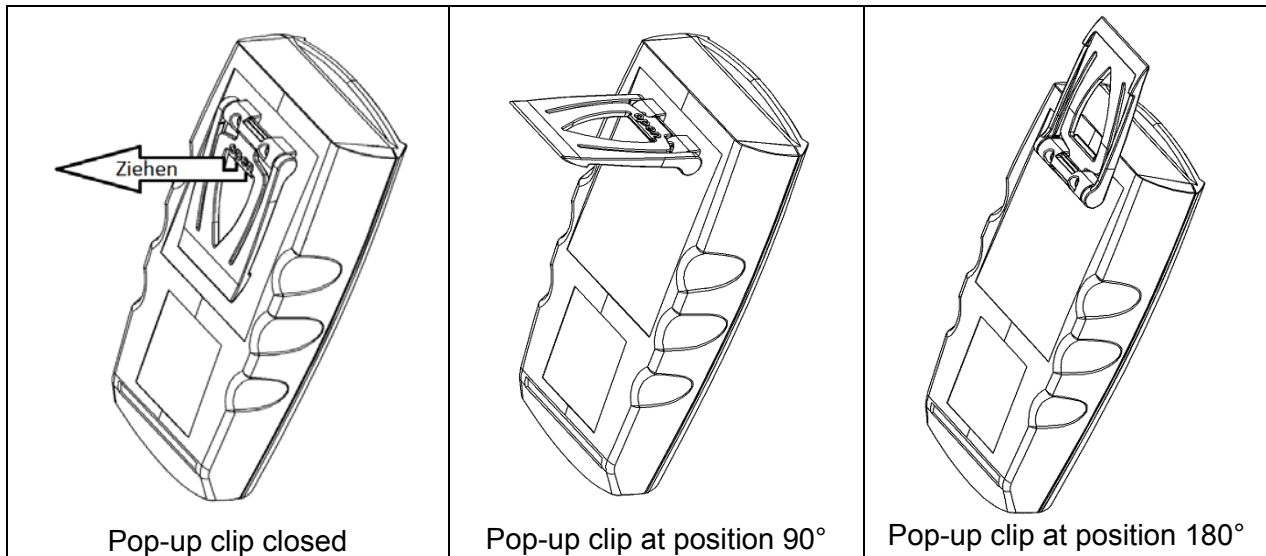


Universal output: interface, analog output (see chapter 9 "Universal output")
Permanently connected measuring cell with integrated temperature probe

4.4 Pop-up clip

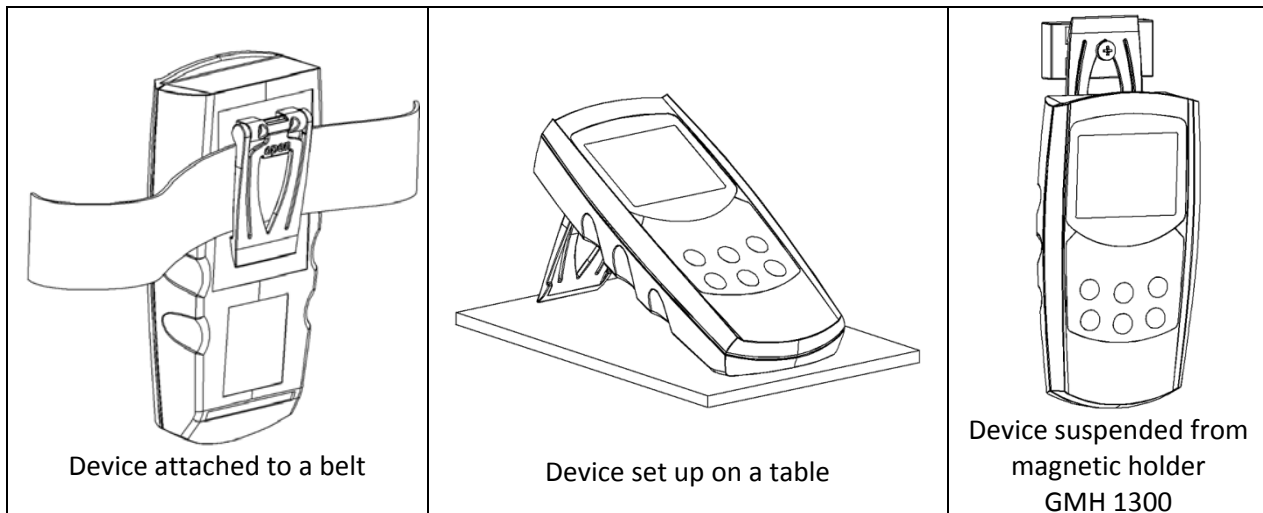
Handling:

- Pull at label "open" in order to swing open the pop-up clip.
- Pull at label "open" again to swing open the pop-up clip further.




Function:

- The device with a closed pop-up clip can be plainly laid onto a table or attached to a belt, etc.
- The device with pop-up clip at position 90° can be set up on a table, etc.
- The device with pop-up clip at position 180° can be suspended from a screw or the magnetic holder GMH 1300.



5 Start Operation

Turn device on via  key.

After segment test  the device displays some information on its configuration:

5.00 if cell correction scale was changed (cell correction scale unequal 1.000)
(see chapter 11 Automatic adjustment/calibration of cell correction)

Corr if zero point or slope correction is active
(see chapter 10 Adjustment of temperature input)

After that the device is ready for measuring.

6 Principles of the measurements

6.1 Basics about conductivity

Definition of conductivity: The ability of a material to conduct electric current: $\gamma = \frac{l}{R \cdot A}$

l: length of the material

A: diameter

R: measured resistance

Unit $[\gamma] = \frac{\text{Siemens}}{\text{meter}} = \frac{\text{S}}{\text{m}}$, common for liquids: $\frac{\text{mS}}{\text{cm}}$ and $\frac{\mu\text{S}}{\text{cm}}$

The conductivity is the reciprocal value of the resistivity.

(The conductance is the reciprocal value of the measured resistance R)

6.2 Conductivity measurement

The conductivity measurement is a rather uncomplicated measurement. The standard electrodes are stable for a long time if used correctly and can be adjusted by an integrated Cal-function.

Measuring ranges: 0,0 - 200,0 $\mu\text{S}/\text{cm}$ | 0 - 2000 $\mu\text{S}/\text{cm}$ | 0,00 - 20,0 mS/cm | 0,0 - 200,0 mS/cm | 0 - 400 mS/cm

If the range selection is set to „Auto Range“, the range with the best resolution is automatically selected. However, logger or interface operation requires a manual/fixed selection of the measuring range from the table above (No logger/interface operation with Auto-range!).

6.3 Resistivity measurement

The resistivity is the reciprocal value of the conductivity and the device displays it in $\text{k}\Omega \cdot \text{cm}$.

Measuring ranges: 0,000 - 2,000 $\text{k}\Omega \cdot \text{cm}$ | 0,00 - 20,00 $\text{k}\Omega \cdot \text{cm}$ | 0,0 - 100,0 $\text{k}\Omega \cdot \text{cm}$

If the range selection is set to „Auto Range“, the range with the best resolution is automatically selected. However, logger or interface operation requires a manual/fixed selection of the measuring range from the table above (No logger/interface operation with Auto-range!).

6.4 TDS measurement

At the TDS (total dissolved solids) measurement the filtrate dry residue is determined by means of the conductivity and a conversion factor (C.tdS). Well suited for easy concentration measurements of e.g. salt solutions. The determined value is displayed in mg/l .

Measuring ranges: 0,0 - 200,0 mg/l | 0 - 2000 mg/l

Displayed value TDS = conductivity [in $\mu\text{S}/\text{cm}$, nLF-temp. comp. at 25°C] • C.tdS (input at menu)

Approximately:

C.tdS	
0.50	Monovalent salts with 2 ion types (NaCl, KCl, etc.)
0.50	Natural waters / surface waters, drinking water
0.65 - 0,70	e.g. salt concentration of aqueous fertilizer solutions

Attention: This are only approximate values – good for estimations, but no precise measurement.

For precise measurements the conversion value has to be determined for the corresponding solution for the relevant concentration range.

This may be done by comparison with known reference solutions or by actually evaporating a certain amount of solution with determined conductivity and subsequent weighing of the dry residue.

6.5 Salinity measurement

At the salinity measurement “SAL” the salinity (salt content) of seawater is determined (based on: International Oceanographic Tables; IOT). Standard seawater has a salinity of 35 ‰ (35 g salt per 1 kg seawater).

Commonly the measured value is displayed dimensionless in ‰ (g/kg).

Additionally the term “PSU” (Practical Salinity Unit) is sometimes used, the displayed value is the same.

The salinity measurement has its “own” temperature compensation, i.e. the temperature is automatically taken into account for the salinity measurement. The menu settings regarding the temperature compensation are ignored.

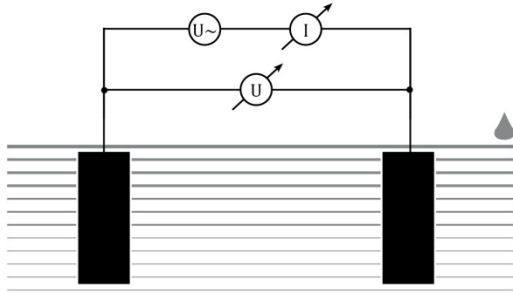


Attention: The salt composition of the different seas is not the identical. Depending on place, weather, tides, etc. there may be considerable divergences to the 35 ‰ according to IOT. Additionally the salt composition may influence the ratio between salinity and actual salt content.

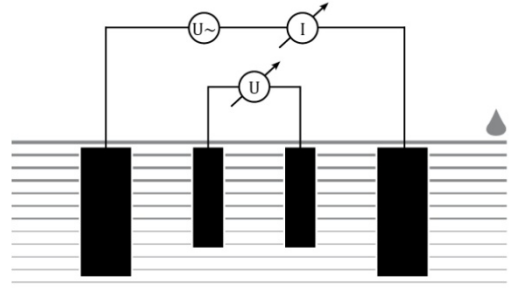
6.6 Electrodes / measuring cells

6.6.1 Design

Basically there are two types of measuring cells: 2-pole and 4-pole cells. The operation is done similarly; the 4-pole measuring cells can compensate polarization effects and – up to some degree – soiling due to its complex measuring method.



2-pole measuring cell



4-pole measuring cell

6.7 Temperature compensation

The conductivity of aqueous solutions depends on its temperature. The temperature dependency is strongly dependent on the type of solution. The temperature compensation recalculates solutions' conductivity to a consistent reference temperature. The most common reference temperature is 25 °C.

6.7.1 Temperature compensation “nLF” according to EN 27888

For most applications (e.g. in the area of fish farming, surface or drinking water measurements, etc.) the non-linear temperature compensation for natural water (“nLF”, according to EN 27888) is sufficiently accurate. The common reference temperature is 25 °C.

Recommended application range of nLF-compensation: between 60 µS/cm and 1000 µS/cm.

6.7.2 Linear temperature compensation and determination of temperature coefficient “t.Lin”

If the actual function needed for exact temperature compensation is not known, “linear temperature compensation” is normally selected (Menu, t.Cor = Lin, t.Lin corresponds TK_{lin}), i.e. one assumes that the actual temperature dependency at the considered concentration range is approximately equal:

$$LF_{Tref} = \frac{LF_{Tx}}{1 + \frac{TK_{lin}}{100\%} \cdot (Tx - Tref)}$$

Temperature coefficient of about 2.0 %/K are most common.

A temperature coefficient can be determined for example by measuring a solution with deactivated temperature compensation at two different temperatures (T1 and T2).

$$TK_{lin} = \frac{(LF_{T1} - LF_{T2}) \cdot 100\%}{(T1 - T2) \cdot LF_{T1}}$$

TK_{lin} is the value input at the menu “t.Lin”.

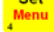




LF_{T1} conductivity at temperature T1





LF_{T2} conductivity at temperature T2

7 Configuration



Some menu points depend on current device settings (e.g. some points are locked if logger memory contains data sets).

To change device's settings, press „Menu“  for 2 seconds. This will activate the configuration menu (main display: "SET"). Pressing „Menu“  changes between the menus points, pressing   jumps to the referring parameters, which can be selected with key .





The parameter value can be changed with  or . Pressing „Menu“  again jumps back to the main configuration menu and saves the settings. Pressing „Quit“  finishes the configuration.



Pressing "menu" and "store" at the same time for more than 2 seconds will reset the device to factory defaults.

If there are data sets stored and logger is set to "manual recording" ("Func Stor") the first menu point displayed is "rEAd Logg" (see chapter "8 Data Logger")

If no key is pressed for more than 2 minutes the configuration will be aborted. All changes will be discarded!

Menu	Parameter	Value	Description		
		 or 			
rEAd LoGg	rEAd Logg: Read manual recordings, see chapter 8.1 Manual recording ("Func-Stor")				
SEt CoNF	Set Configuration: General configuration				
InP	Input: Selection of measured variable			**	
	Cond	Conductivity			
	rESi	Resistivity			
	tdS	Total dissolved solids			
	SAL	Salinity			
	SEt	Change-over measured variables by Set-key			
t.dS	TDS measurement: conversion factor (only if Inp = tdS)				
	0.40 - 1.00	Conversion factor for TDS measurement			
(CELL) CoRR	Cell Corr: Adjustment of cell correction: multiplication factor				
	0.800 - 1.200	Multiplication factor of cell correction Factory setting: 1.000			
rAng	Range: Selection of display range (conductivity, resistivity or tdS)				
	Auto	Automatic range selection			
	200.0 µS/cm	Lowest selectable range (conductivity)			
			
	400 mS/cm	Highest selectable range (conductivity)			
CAL	Automatic adjustment/calibration with reference solution (only if Inp = Cond)				
	Edit	Manual adjustment to reference value			
	REF.S	Choice of standard reference solutions			
rEF.S	REF.S: Choice of standard reference solutions for automatic adjustment/cal.				
	1413 µS/cm	Reference solution 0.01 M KCL			
	2760 µS/cm	0.02 M KCL			
	12.88 mS/cm	0.1 M KCL			
	50 mS/cm	Sea-water reference solution KCL			
	111.8 mS/cm	1 M KCL			
Unit t	Unit t: Selection of temperature unit				
	°C	All temperature values in degree Celsius			
	°F	All temperature values in degree Fahrenheit			
t.CoR	Temperature compensation (not for InP = SAL)				
	oFF	No temperature compensation of conductivity measurement			
	nLF	Non-linear function for natural waters according to EN 27888 (ISO 7888), ground, surface and drinking water			
	Lin	Linear temperature compensation			
t.Lin	Compensation coefficient (only if t.CoR = Lin)				
	0.300 3.000	Temperature compensation coefficient in %/K			

Menu	Parameter	Value	Description			
Set Menu	CAL	max OR min				
SEt CONF	t.ref	Reference temperature of temperature compensation (only if t.Cor = Lin or nLF)				
		25 °C / 77 °F	Reference temperature 25 °C / 77 °F			
		20 °C / 68 °F	Reference temperature 20 °C / 68 °F			
	Li.nt	Adjustment/Calibration: Adjustment reminder period (factory setting: oFF)				
		1 ...730	Adjustment reminder period (in days)			
		oFF	No adjustment reminder			
Auto	Auto	Auto Hold: Automatic measuring value identification (only if Logger = oFF)				
		on	Auto measuring value identification (only if Logger = oFF) Auto Hold			
		oFF	Standard hold function on keypad (only if Logger = oFF)			
P.oFF	P.oFF	Auto Power-Off : Selection of power-off delay				
		1...120	Power-off delay in minutes. Device will be automatically switched off as soon as this time has elapsed if no key is pressed/no interface communication takes place.			
		oFF	Automatic power-off function deactivated (continuous operation)			
SEt OUT	Set Output: Configuration of universal output					
	Out	oFF	Interface and analog output off -> minimal power consumption			
		SEr:	Serial interface activated			
		dAC:	Analog output activated			
	Adr.	01,11..91	Base address for serial interface communication			
	dAR.0	0.0 µS/cm .. 400 mS/cm	Measuring value that should correspond to output 0 V e.g. for 0.0 µS/cm			
dAR.1	0.0 µS/cm .. 400 mS/cm	Measuring value that should correspond to output 1 V e.g. for 100.0 mS/cm				
SEt Corr	Set Corr: Measurement correction				**	
	OFFS	Zero point adjustment / offset of temperature measurement			**	
		oFF	No zero point adjustment for temperature measurement			
		-5.0 ... 5.0°C	Offset of temperature measurement in °C			
SCAL	Slope adjustment of temperature measurement			**		
	oFF	No slope adjustment for temperature measurement				
	-5.00 ... 5.00	Slope correction of temperature measurement in [%]				
SEt AL.	Set Alarm: Configuration of alarm function					
	AL. 1	On / No.So	Measuring channel cond/rES/TDS/SAL: alarm on with buzzer / without buzzer			
		oFF	No alarm function for measuring channel cond/rES/TDS/SAL			
	ALLo	0.0 µS/cm .. 400 mS/cm	Min-alarm limit for cond/rES/TDS/SAL (not if AL. 1. oFF)			
	ALHi	0.0 µS/cm .. 400 mS/cm	Max-alarm limit for cond/rES/TDS/SAL (not if AL. 1. oFF)			
	AL. 2	On / No.So	Temperature measurement: alarm on with buzzer / without buzzer			
		oFF	No alarm function for temperature measurement			
ALLo	-5.0 ...+100.0 °C	Min-alarm limit for temperature (not if AL. 2. oFF)				
ALHi	-5.0 ...+100.0 °C	Max-alarm limit for limit temperature (not if AL. 2. oFF)				
SEt LoGG	Set Logger: Configuration of logger function				**	
	Func	Selection of logger function			*	
		oFF	No logger activated			
		Stor	Store: Manual recording			
	CYCL	Cyclic: Cyclic logger				
CYCL	0:01... 60:00	Cycle time in [minutes:seconds] (for cyclic logger)		**		
SEt CLoc	Set Clock: Einstellen der Echtzeituhr					
	CLoc	HH:MM	Clock: set time hours:minutes			
	YEAR	YYYY	Year: set year			
	DATE	TT.MM	Date: set date day.month			
rEAd CAL.	rEAd CAL: Read calibration data: see chapter 12.2 Calibration storage (rEAd CAL)					

- (*) If logger memory contains data sets parameters marked with (*) cannot be called. You have to clear memory to change these parameters!
- (**) If logger is running parameters marked with (**) cannot be called.

8 Data Logger



No logger operation possible with auto-range! The measuring range has to be selected explicitly – see chapter 7 “Configuration“ - r R n b

The device supports two different logger functions:

- “Func-Stor“: Manual recording by keypress “store”
Additional input of measuring point (L-Id) is needed
- “Func-CYCL“: Automatic recording at intervals of set cycle time

The logger stores 2 measuring values per data set.

One data set consists of:

- meas. value cond/rES/TDS/SAL (one of them)
- meas. value temperature
- measuring point L-Id (only for “Func-Stor“)
- time and date (when data set is saved)

For the evaluation of the data the software GSOFT3050 (version V3.0 or higher) has to be used. The software also allows easy configuration and starting of the logger.

When the logger is activated (Func Stor or Func CYCL) the hold function is no more available, the key “store” is solely used for the operation of the logger functions.

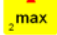

8.1 Manual recording (“Func-Stor”)

a) Save measurements manually:


Up to 1000 measurements can be saved if logger function “Func store” is selected. (see “Configuration”):



Press “Store” shortly: data set is saved (“St. XX” is displayed shortly, where XX is the number of the data set)

Input of the measuring point “L-Id”: Selection of measuring point via keys  or . Number 0...19999 or text assigned to number 1...40 (comfortable assignment of texts can be done with gratis software GMHKonfig)


Confirm input with .

If logger storage is full, the following is displayed: 

b) Read manual recordings:

Saved data sets can be viewed both with PC-software GSOFT3050 and directly on the device display.



Press “menu” for 2 seconds:  is displayed




“rEAd LoGG” is only displayed if data sets have been already stored! Otherwise the configuration menu is displayed: 



Press shortly: Change between measuring values, measuring point and date+time of the currently selected data set



oder  Change between different data sets





Quit display of recordings


c) Clear manual recordings:


If data sets have been stored, they can be deleted with the “store” key:





Press “store” for 2 seconds: Call menu “Clear”

Select with:  or .

 Clear nothing (cancel)

 Clear all data sets

 Clear the latest data set

 Confirm selection and quit menu “Clear”



8.2 Automatic recording with selectable cycle time “Func CYCL”


If logger function “Func CYCL” is selected (see “Configuration”) the device will automatically record measuring values at intervals of the set cycle time.

The logger’s cycle time can be set from 1s to 60min (see “Configuration”).


Up to 10000 measurements can be saved if logger function “Func CYCL” is selected.

a) Start recording:

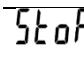
 **Press “store” for 2 seconds:** Start menu, press  again: automatic recording is started
 Each storage process is signaled by shortly displaying “St.XXXX”, where XXXX is the number of the saved data set.

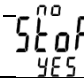
If the logger memory is full, the recording stops automatically and the display shows 


b) Stop recording:

 **Press “store” for 2 seconds:** If recording is running the “stop” menu is displayed

Select with  or .

 Do not stop recording (cancel)


 Stop recording

 If recording is running the “stop” menu is displayed

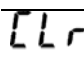


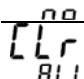
If you try to switch off the device while cyclic recording is active you will be asked whether the recording should really be stopped. The device can only be switched off if the recording is stopped. Auto-off function is deactivated as long as cyclic recording is active.

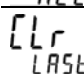
c) Clear recordings:

 **Press “store” for 2 seconds:**
 If there are data sets stored and recording is already stopped the menu “Clear” is displayed

Select with  or .

 Do not stop recording (cancel)

 Clear all data sets

 Clear latest data set

 Confirm selection and quit menu “Clear”

9 Universal output

The output can be used as serial interface (for USB 3100, USB 3100 N, GRS 3100 or GRS 3105 interface adapters) or as analog output (0-1V).

If none of both is needed, we suggest to switch the output off, because battery life then is extended.

9.1 Serial Interface

By means of the serial interface and a suitable electrically isolated interface adapter (USB 3100, USB 3100 N, GRS 3100 or GRS 3105) the device can be connected to a computer for data transfer.

With the GRS 3105 up to 5 devices of the GMH3xxx- series can be connected to one interface (see also manual of GRS 3105). As a precondition the base addresses of all devices must not be identical, make sure to configure the base addresses accordingly (refer menu point "Adr." in chapter 1 "Configuration").

To avoid transmission errors, there are several security checks implemented e.g. CRC.

The following standard software packages are available:

- **GSOFT3050:** Operation and read out of logger function, data display in diagrams and tables
- **GMHKonfig:** Software for a comfortable editing of the device (e.g. Material selection...)
- **EBS 20M / 60M:** 20-/60-channel software to display the measuring values

In case you want to develop your own software we offer a **GMH3000-development package** including:

- a universally applicable Windows functions library ('GMH3000.DLL') with documentation that can be used by the most programming languages. Suitable for Windows XP™, Windows Vista™, Windows 7™
- Programming examples Visual Basic 4.0™, Delphi 1.0™, Testpoint™

In addition to the operation at a PC the device can be operated with the **GAM 3000** device, to use the alarm function for simple supervision and controlling applications. Just connect a GAM 3000 to the interface, activate the alarm function of the GMH and the relays output is operating.

The device has 3 channels:

- Channel 1: current measuring value Cond, rES, TDS oder SAL (base address)
- Channel 2: temperature value



The measuring-/ alarm- and display range values read back from the interface are always in the selected measurement unit!

9.2 Analogue Output

An analog voltage 0-1V can be tapped at the universal output socket (mode: "Out dAC").

With the DAC.0 and DAC.1 values the output can be rapidly scaled to your efforts.

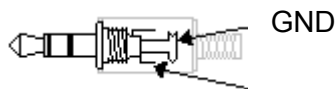
Keep in mind not to connect low-resistive loads to the output, otherwise the output value will be wrong and battery life is decreased. Loads above ca 10kOhm are uncritical.

If the display exceeds the value set by DAC.1, then the device will apply 1V to the output

If the display falls below the value set by DAC.0, then the device will apply 0V to the output

In case of an error (Err.1, Err.2, no sensor, etc.) the device will apply slightly above 1V to the output.

plug wiring:



Attention!

the 3rd contact has to be left floating!
Only stereo plugs are allowed!

10 Adjustment of temperature input

The temperature input can be adjusted with offset and scale. A reasonable adjustment presumes reliable references (e.g. ice water, controlled precision water bath, etc.).

If the inputs are adjusted (i.e. offset and scale are different from default settings) the device will shortly display "Corr" after turned on.

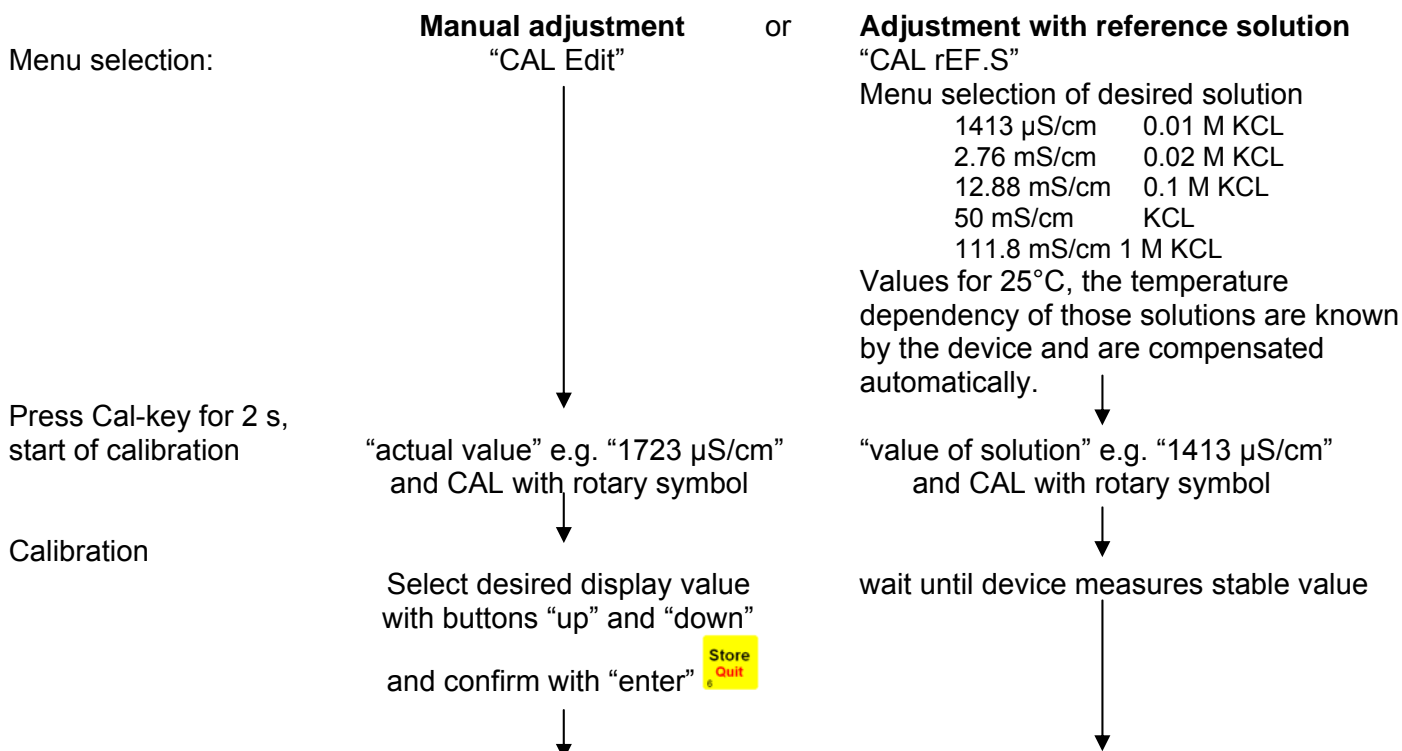
Default setting for offset and scale are 'off' = 0.0, i.e. inputs are not changed.

Zero point correction: **Displayed value = measured value – OFFS**

Zero point and slope correction: **Displayed value = (measured value – OFFS) * (1 + SCAL / 100)**
Displayed value °F = (meas. value °F - 32°F - OFFS) * (1 + SCAL / 100)

11 Automatic adjustment/calibration of cell correction

Besides the direct input of the cell correction (see below) via the menu ("CELL Corr") the cell correction can also be determined automatically:



Afterwards the device returns to the normal measuring operation mode or – if so – displays an error message.

The resulting cell correction can be seen in the menu at "CELL Corr" and the calibration history.

Error messages of automatic adjustment/calibration:

CAL Err.1	Cell correction too high	Determined cell correction must not exceed 1.2
CAL Err.2	Cell correction too small	Determined cell correction must not fall below 0.8
CAL Err.3	Solution of wrong range	Wrong solution / far beyond tolerance
CAL Err.4	Wrong temperature	Beyond permitted temperature: 0.0 – 34.0 °C (or 0.0 – 27.0 °C at 111.8 mS/cm)

Alternative to automatic adjustment:

Manual calculation of cell correction with a reference solution

Example KCl-solution c= 0.01 M: 1413 µS cm⁻¹ at 25°C

At other temperatures switch temperature compensation off (t.Cor = oFF) and use the referring conductivity!

Conductivity_{displayed} = 1500 µS cm⁻¹ if selected cell correction is 1.000 cm⁻¹ (CELL Corr = 1.000)

Conductivity of solution at solution temperature 25 °C: Conductivity_{real} = 1413 µS cm⁻¹

$$\text{Cell correction } c = \frac{\text{conductivity}_{\text{real}}}{\text{conductivity}_{\text{displayed}}} [\text{cm}^{-1}]$$

$$= \frac{1413}{1970} * \text{cm}^{-1} = \mathbf{0.942 \text{ cm}^{-1}} \text{ (Enter CELL Corr of 0.942)}$$

12 GLP

GLP (Good Laboratory Practice) includes regular check of devices and accessories. For pH measurements it is highly important to ensure correct pH calibration. The device provides the following functions to help with this.

12.1 Calibration interval (C.Int)

You can input the interval after which the device reminds you to recalibrate.


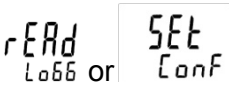






The interval times should be chosen according to the application and the stability of the electrode. "CAL" flashes on the display as soon as the interval has expired.

12.2 Calibration storage (rEAd CAL)

The last 16 calibrations are stored with results and date and can be read out.

Display calibration data:

Historical calibration data can be comfortably read out via PC software GMHKonfig and GSOFT3050 or displayed directly at the device:

	Press for 2 seconds: The display will show:	 (configuration level)
	Press several times until this is displayed:	 read cal. = "read calibration data"
Press shortly: switch between:		
	<ul style="list-style-type: none"> - CELL = cell correction - C.rEF = reference value, at which cell correction has been adjusted - Display of date+time of data set 	
	or	
Change between the different calibration data sets		
	Quit calibration data set display	

13 Alarm („AL.“)

There are 3 possible settings:

off (AL.oFF), on with buzzer (AL.on), on without buzzer (AL.no.So).

Alarm is given in the following cases (if alarm active, AL.on or AL.no.So):

- Lower alarm boundary (AL. Lo) under-run
- Upper alarm boundary (AL. Hi) over-rum
- Sensor error
- Low battery (bAt)
- Err.7: system error (always with buzzer!)

In case of an alarm (and when polling the interface) the 'PRIO'-flag is set in the returned interface message.

14 Real Time Clock ("CLOC")

The real time clock is used for chronological assignment of the logger data and calibration points. Please check the settings when necessary.

15 Accuracy Check / Adjustment Service

You can send the device to the manufacturer for adjustment and inspection.

Calibration certificate - DKD certificate - official certifications:

If the measuring instrument is supposed to receive a calibration certificate, it has to be sent to the manufacturer (declare test points).

If the device is certificated together with a suitable sensor very high overall accuracies are possible.

Basic settings can only be checked and – if necessary – corrected by the manufacturer.

A calibration protocol is enclosed to the device ex works. This documents the precision reached by the production process.

16 Error and System Messages

Error messages for measurement

	Description	What to do?
No display or confused characters, Device does not react on keypress	Battery empty	Replace battery
	Mains operation: wrong voltage or polarity	Check power supply, replace it if necessary
	System error	Disconnect battery and power supply, wait shortly, then reconnect
	Device defective	Return to manufacturer for repair
Err.1	Measured value above allowable range	Check: pressure not within sensor range? -> measuring value to high!
	Sensor defective	Return to manufacturer for repair
Err.2	Measured value below allowable range	Check: pressure not within sensor range? -> measuring value to low!
	Sensor defective	Return to manufacturer for repair
Err.7	System error	Return to manufacturer for repair
	Value extremely out of measuring range	Value extremely out of measuring range
----	Could not calculate display value	
	• measuring range or input range exceeded	Check range parameter
	• measured values are instable	Wait for signal regulation of the device
> CAL < CAL flashing in upper display	Either preset calibration interval has expired or last calibration is not valid	Device has to be calibrated!
no Lo55	Auto rAn5	Logger could not be started
		Auto range for the display range is active => change the parameter in the configuration menu

Error messages for automatic cell correction adjustment/calibration:

CAL Err.1	Cell correction too high	Determined cell correction must not exceed 1.2
CAL Err.2	Cell correction too small	Determined cell correction must not fall below 0.8
CAL Err.3	Solution of wrong range	Wrong solution / far beyond tolerance
CAL Err.4	Wrong temperature	Beyond permitted temperature: 0.0 – 34.0 °C (or 0.0 – 27.0 °C at 111.8 mS/cm)

If “bAt” is flashing the battery will be exhausted soon. Further measurements are possible for short time. If “bAt” is displayed continuously the battery is ultimately exhausted and has to be replaced. Further measurements aren’t possible any more.

17 Reshipment and Disposal

17.1 Reshipment



All devices returned to the manufacturer have to be free of any residual of measuring media and other hazardous substances. Measuring residuals at housing or sensor may be a risk for persons or environment



Use an adequate transport package for reshipment, especially for fully functional devices. Please make sure that the device is protected in the package by enough packing materials.

17.2 Disposal instructions



Batteries must not be disposed in the regular domestic waste but at the designated collecting points.

The device must not be disposed in the unsorted municipal waste! Send the device directly to us (sufficiently stamped), if it should be disposed. We will dispose the device appropriate and environmentally sound.

18 Specification

Measuring ranges	Anzahl	5
	Conductivity 1 *)	0,0 ... 200,0 μ S/cm
	” 2 *)	0 ... 2000 μ S/cm
	” 3 *)	0,00 ... 20,00 mS/cm
	” 4 *)	0,0 ... 200,0 mS/cm
	” 5 *)	0 ... 400 mS/cm
	Resistivity	0,005 ... 100,0 kOhm*cm
	TDS	0,0 ... 1999 mg/l
	Salinity	0,0 ... 70,0 g/kg (PSU)
Temperature		-5,0 ... +100,0 °C
		23,0 ... 212,0 °F
Accuracy	Conductivity	$\pm 0,5\%$ v.MW $\pm 0,3\%$ FS bzw. $\pm 2 \mu$ S/cm
	Temperature	$\pm 0,2$ K
Anschlüsse	Leitfähigkeit, Temperatur	Permanently connected measuring cell
	Schnittstelle, Analogausgang	Serial interface (3.5mm jack) can be connected to USB or RS232 interface of a PC via electrically isolated interface adapter USB3100, USB 3100 N, GRS3100 or GRS3105 (see accessories). Alternative selectable analogue output 0-1V
Measuring cell		Four-electrode-conductivity-measuring cell with integrated temperature sensor
	Electrode material	special graphite
	Schaftmaterial	epoxy
	Abmessungen	dia. 12 mm, length 120 mm
Arbeitsumgebung		-5 ... +80°C (continuous) bis +100°C (short-duration)
Display		4 digit 7-segment (main and secondary display) with additional symbols
Additional functions		Min / max / hold
Adjustment/Calibration		Cell correction manually or automatically via selectable reference solution
Data logger		Real-time clock
		Cyclic: 10000 data sets, cycle time selectable: 1s ... 60 min Single: 1000 data sets (with measuring point input, 40 selectable measuring point texts or numbers)
Alarm		2 alarm channels with separate limit values for conductivity (or resistivity, TDS, SAL) and temperature Alerting: buzzer / visual / interface
Housing		Break-proof ABS housing
	Protection class	Front side IP65
	Dimensions L*W*H [mm]	142 x 71 x 26 mm (L x W x H)
Working conditions		-25 to 50 °C; 0 to 95 % RH (non condensing)
Storage temperature		-25 bis 70 °C
Power supply		9V-battery, typ IEC 6F22 (included in scope of supply) or external
	Current consumption	2 mA (Out = Off)
	Battery indicator	Automatically if battery exhausted Δ and ' bAt '
Auto-Off-Funktion		Device will be automatically switched off if no key is pressed/no interface communication takes place for the time of the power-off delay. The power-off delay can be set to values between 1 and 120 min.; it can be completely deactivated.
EMV		The device corresponds to the essential protection ratings established in the Regulations of the Council for the Approximation of Legislation for the member countries regarding electromagnetic compatibility (2004/108/EG). Additional fault: <1%