

## Flow Switch G-...GR

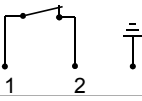


- Adjusted switching value
- Small switching point

### Characteristics

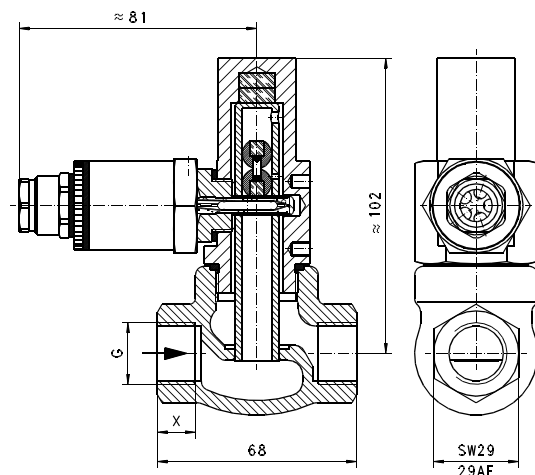
Balls fitted with magnets rise in proportion to the flow against the magnetic force of an opposite-poled magnet and actuate a reed contact.

### Technical data

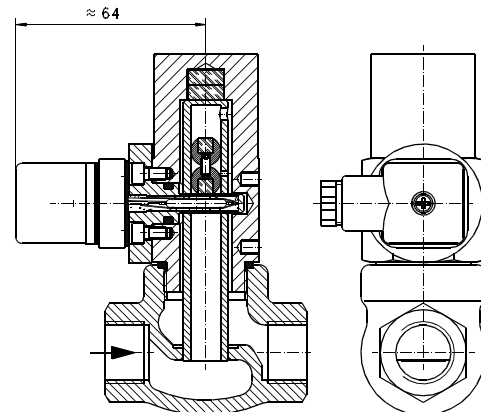
<b>Switch</b>	reed switch
<b>Nominal width</b>	DN 8..15
<b>Process connection</b>	female thread G 1/4..G 1/2
<b>Adjustment range</b>	0.15..0.4 l/min horizontal inwards flow with decreasing flow rate
<b>Q<sub>max. recommended</sub></b>	G 1/4 - 4 l/min G 3/8 - 8 l/min G 1/2 - 12 l/min
<b>Tolerance</b>	±10 % of full scale value
<b>Pressure resistance</b>	PN 16 bar
<b>Medium temperature</b>	-20..+80 °C
<b>Ambient temperature</b>	-20..+70 °C
<b>Media</b>	water (oils up to 20 mm <sup>2</sup> /s, and gases on request)
<b>Wiring</b>	normally closed (n.c.) no. 0.214 
<b>Switching voltage</b>	max. 250 V AC
<b>Switching current</b>	max. 1 A
<b>Switching capacity</b>	max. 50 VA
<b>Protection class</b>	1 - PE connection
<b>Ingress protection</b>	IP 65
<b>Electrical connection</b>	Standard: cable screw gland Pg 11, optionally DIN 43650-A / ISO 4400 plug
<b>Materials medium-contact</b>	Rg 5 nickelled, CW614N nickelled, POM, Klingsil C-4400, hard ferrite
<b>Non-medium-contact materials</b>	CW614N, NBR
<b>Weight</b>	0.6 kg
<b>Installation location</b>	Standard: horizontal inwards flow; switching head upwards

### Dimensions and weights

G	Types	X
G 1/4	G-008..	12
G 3/8	G-010..	
G 1/2	G-015..	13



optionally DIN 43650-A / ISO 4400 plug



### Handling and operation

- Include straight calming section of 5 x DN in inlet and outlet.
- If the media are dirty, install a filter (use magnetic filter for ferritic components).
- It must be ensured that the values given for voltage, current, and power are not exceeded.
- When switched on, a load must be connected in series. The electrical details apply to ohmic loads. Capacitive, inductive and lamp loads must be operated using a protective circuit.

## Ordering code

### Standard device

1. 2. 3.  
G -

1. Nominal width	
008	DN 8 - G 1/4
010	DN 10 - G 3/8
015	DN 15 - G 1/2
2. Process connection	
G	female thread
3. Connection material	
R	red bronze

## Options

- Transformer
- Adjustment for oil or gas
- Special values

## Ordering information

- Specify direction of flow, medium, and switching point.
- For oils, state viscosity, temperature and designation (e.g. ISO VG 68) (enquire about range).
- For gases, state pressure (relative or absolute), temperature and medium (e.g. air) (enquire about range).