

## Flow Fitting FF25

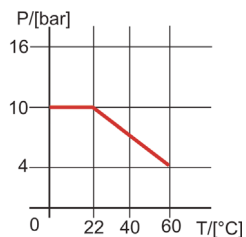


- Material PVC-U
- Medium temperature 0..60°C
- Process pressure max. 10 bar at 22°C
- Pipe diameter from DN15 up to DN100
- Mounting with PVC-U standard fittings

### Characteristics

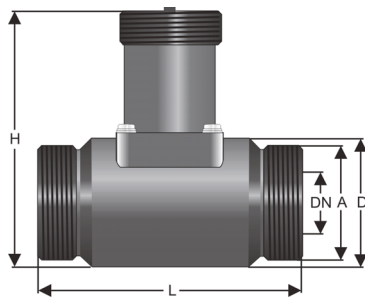
The flow fitting FF25 is specially designed for the flowrate sensor FS242.

### Pressure-temperature diagram PVC-U



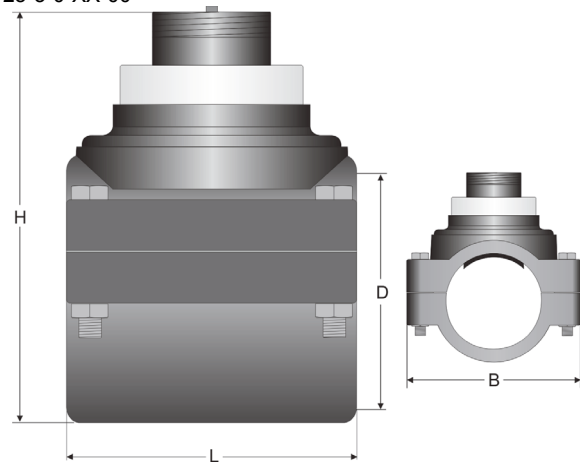
### Dimensions

FF25-2-0-XX-00



DN	A	D	L	H
15	G 1	49.2	90	100.3
20	G 1 ¼	51.2	100	103.3
25	G 1 ½	54.0	110	107.5
32	G 2	68.0	110	117.6
40	G 2 ¼	72.3	120	123.3
50	G 2 ¾	86.0	130	134.7

FF25-3-0-XX-00



DN	L	H	D	B
65	105	143	75	136
80	105	161	90	154
100	105	176	110	176

### Ordering code

FF25 -  1. -  2. -  3. -  4.

#### 1. Process connection

- 2 union nut (up to DN50)
- 3 drilling pipe clamp (up from DN65)

#### 2. Material

- 0 PVC

#### 3. Nominal diameter process connection

DN15, 20, 25, 32, 40, 50, 65, 80, 100

#### 4. Options

- 00 without option