

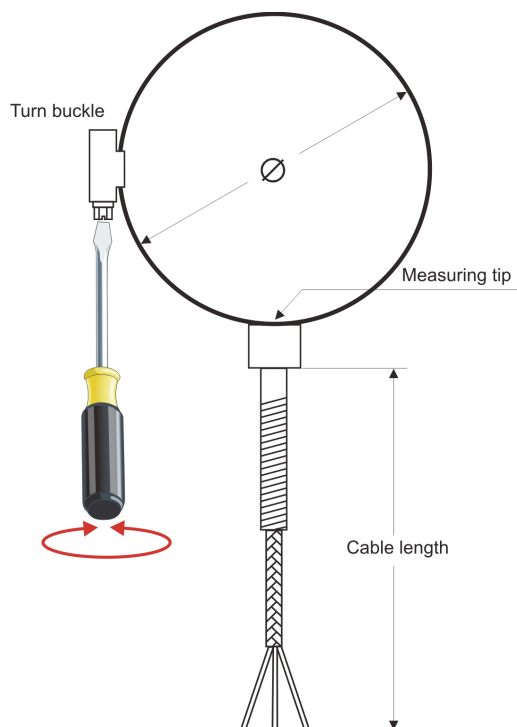
# Temperature Sensor 7122



## Characteristics

- Thermocouple Fe-CuNi (type J); NiCr-Ni (type K)
- RTD Pt100, class B
- Pipe clamp, protection spring stainless steel 1.4541 protection sheath silver, thermal isolated
- Cable type flexible fiberglass insulation with steel wire braiding or Teflon-Silicon-insulation

## Dimensions



## Ordering code

1.    2.    3.    4.    5.    6.    7.  
 -  -  -  -  -  -

<b>1. Measuring element</b>	
7122	Pt100 class B
<b>2. Number of elements</b>	
1	
2	
<b>3. Connection type</b>	
2L	2-wire
3L	3-wire
4L	4-wire
<b>4. Clamp range of pipe clamp</b>	
68	Ø 16-25 mm
69	Ø 20-32 mm
70	Ø 32-50 mm
71	Ø 50-70 mm
72	Ø 70-90 mm
73	Ø 90-110 mm
74	Ø 110-130 mm
<b>5. Cable length (please state in clear text)</b>	
2000	Cable length in mm standard
XXXX	custom length in mm; price/m
<b>6. Operating temperature</b>	
250°C	in glass silk – stainless conduction

## Stock

7122-1-3L-68-2000-250°C  
 7122-1-3L-69-2000-250°C  
 7122-1-3L-70-2000-250°C  
 7122-1-3L-71-2000-250°C  
 7122-1-3L-72-2000-250°C  
 7122-1-3L-73-2000-250°C  
 7122-1-3L-74-2000-250°C